

## “U<sup>2</sup>MIC” MAIN CONTROL UNIT

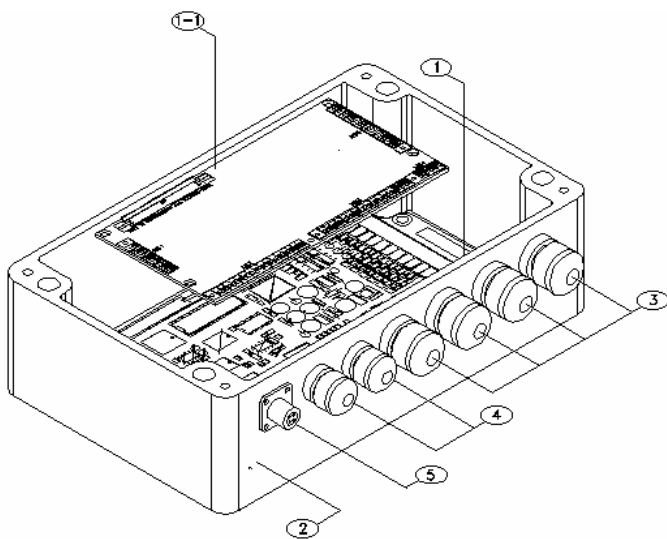
U2MIC MODULES are equipped with memories for Data and program storage not erasable EPROM type or erasable EEPROM type for calibration parameters storage.

INPUT/OUTPUT circuits are self-protected against overloads and short circuits.

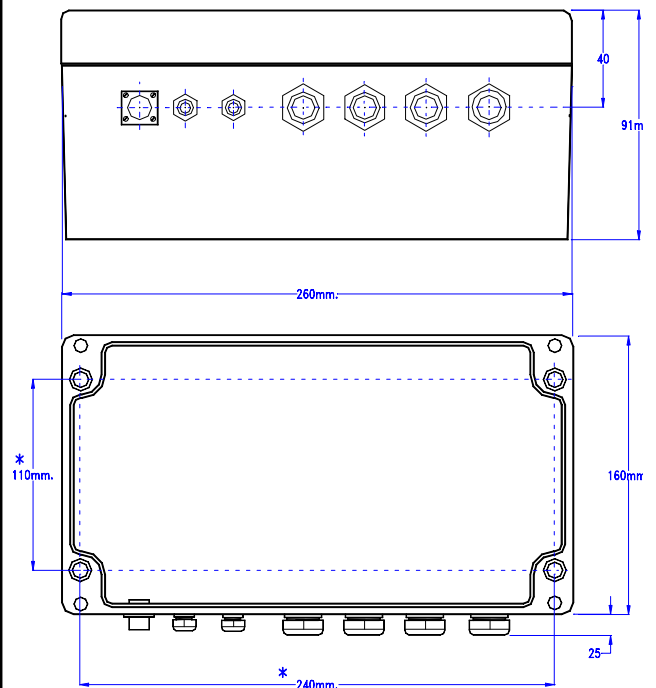
Power supply internal circuits are designed to operate at low voltage and are provided with all protection for hard environment.

U2MIC modules are provided with all EMC necessary components and are certified accordingly.

U2MIC Module basic configuration can be powered by adding an extension board (EXAN) inside the case, to increase INPUT/OUTPUTS resources.



### U<sup>2</sup>MIC OVERALL DIMENSIONS



REF.	DESCRIPTION	CODE
1	MAIN ELECTRONIC BOARD	S U2MIC/XX
1-1	EXTENSION BOARD	S U2MIC-E/XX
2	CASE	Y6 U2MICM6
3	STRAIN RELIEF	Y7 PG13,5
4	STRAIN RELIEF	Y7 PG9
5	CONNECTOR	PT02E8-4S

**U<sup>2</sup>MIC GENERAL CHARACTERISTICS****□ POWER SUPPLY**

- From vehicle battery 10-28 Vdc
- Current consumption, without loads:
  - 0,35A (Main Board)
  - 0,5A (Including Extension Board )

**□ INPUTS / OUTPUTS**

MAIN BOARD:

- **14 Digital Inputs**
- **14 Digital Outputs**
- **6 (+2) Analog Inputs**

EXTENSION BOARD included:

- **24 Digital Inputs**
- **24 Digital Outputs**
- **6 (+2) Analog Inputs**
- **6 Analog Outputs ( For Danfoss or external drivers)**
- Digital Inputs (14+10) Operating Voltage : 10-28 Vcc
- Digital Outputs (14+8 ) Max Current : 2 A
- Relay Outputs (3) Max Current : 2 A
- Analog Inputs Voltage : 0-5 Vdc
- Analog outputs current : 0-20mA or 4-20mA
- Analog Outputs (8) Voltage: : ± 80% Referred To Virtual Ground (1/2 Battery Voltage)

**□ MISCELLANEOUS**

- Frequency Inputs for Bidirectional Coders : 2
- Frequency Inputs for Speed Reading : 4 HSI Channels
- Watch Dog Dynamic emergency Output
- Power Supply Separate Input
- Serial Links : Rs 232, Rs 485, CAN BUS
- Buffer Battery and Clock
- Epoxy Resin Coating
- 32 Kb E2prom for Data Recording (basic)

**MECHANICAL CHARACTERISTICS****□ VIBRATIONS**

- Continuous : 5g's from 20 to 400 H Over 3AXIS
- Shock : 10 g's

**□ ENVIROMENTAL**

- Salt spray resistance over 48 Hours

**□ TEMPERATURE**

- Working range : -20°/+70°C
- Storage range : -40°/+80°C