

TERA12 HE

TOP EXPERIENCE RIGHT AHEAD

TERA10 HE

TOP EXPERIENCE RIGHT AHEAD



TERA12 HE e TERA10 HE sono i display più avanzati per il mercato off-highway. Utilizzano un processore multimediale fino a quattro core.

Le caratteristiche distintive di questi prodotti sono:

- Fluidità grafica
- Facile interazione utente
- Visibilità massima
- Connettività avanzata
- Look stile tablet

che unite a standard di progetto specifici, li rendono particolarmente adatti ai veicoli agricoli, industriali e stradali.

Supportano le librerie grafiche QT/QML che garantiscono un livello di performance ottimale del software con favolose interfacce grafiche.

TERA12 HE e TERA10 HE possono essere installati sia ad incasso che a sbalzo tramite supporto specifico.

TERA12 HE and TERA10 HE are the high end display solution for off-highway market. They use a multimedia processor up to quad core.

The distinguishing characteristics of these products are:

- Smooth graphic
- Easy user interaction
- Maximum visibility
- Advanced connectivity
- Tablet-style look

which, combined with specific project standards, make them particularly suitable for agricultural, industrial and road vehicles.

They support QT/QML graphics libraries which guarantee a level of optimal software performance with fabulous graphical interfaces.

TERA12 HE and TERA10 HE can be installed both indash and outdash with their specific articulated support.



↳ Vedi pagina 48
See page 48



↳ Vedi pagina 49
See page 49



↳ Vedi pagina 50
See page 50



↳ Vedi pagina 51
See page 51



TECHNICAL SPECIFICATIONS

	FULL version	BASIC version
Power supply	8 - 32V	8 - 32V
Operative temperature	- 30°C + +70°C	- 30°C + +70°C
Sealing degree	IP65	IP65
Main CPU	NXP i.MX6 Dual Core ARM Cortex-A9, 32 bit	NXP i.MX6 Dual Core ARM Cortex-A9, 32 bit
Frequency	800MHz	800MHz
Internal memory	8 GB Flash	8 GB Flash
RAM	1 GB	1 GB
Display	TERA10-HE: TFT 10.1", 1280 x 800 pixels, 850 cd/m ² , contrast ratio 800:1 TERA12-HE TFT 12.1", 1280 x 800 pixels, 500 cd/m ² , contrast ratio 750:1	TERA10-HE: TFT 10.1", 1280 x 800 pixels, 850 cd/m ² , contrast ratio 800:1 TERA12-HE TFT 12.1", 1280 x 800 pixels, 500 cd/m ² , contrast ratio 750:1
Orientation	16:10, Horizontal/Vertical	16:10, Horizontal/Vertical
Sun readability	✓	✓
Touchscreen	Capacitive multitouch with bonding technology (gloves compatible)	Capacitive multitouch with bonding technology (gloves compatible)
RTC	✓	✓
Wake up modes	Power supply, CAN message, ignition key	Power supply, CAN message, ignition key
Boot time	5 sec from cold boot	5 sec from cold boot
Internal temperature sensor	✓	✓
Internal accelerometer/gyroscope	✓	✓
Keys	4+4 push button on front panel 1 push button programmable also as ON/OFF (BUTTONS VERSION)	4+4 push button on front panel 1 push button programmable also as ON/OFF (BUTTONS VERSION)
Buzzer	93 dB, volume adjustable	93 dB, volume adjustable
CANBUS ports	4	2
RS232	1 port full modem 1 port Linux Terminal	1 port full modem 1 port Linux Terminal
USB ports	1 HOST external (BUTTONS VERSION) 2 HOST on connector 1 OTG Device on connector	1 HOST external (BUTTONS VERSION) 2 HOST on connector 1 OTG Device on connector
Video Input	4 PAL/NTSC simultaneous Video over IP	2 PAL/NTSC simultaneous Video over IP
Ethernet	1 port 10/100	1 port 10/100
Audio	1 Audio input port 1 Audio output port (not amplified)	✗
GPS	1 receiver with external antenna (3 mt accuracy)	✗
Bluetooth	✓	✗
Wi-Fi	✓	✗
I/O List	4 analog/digital Inputs RPM 2 Outputs Low/High Side 1A 1 Output Low Side 0.5A	✗
Connector	2 x AMP automotive 26 pin (signal) 2 x M12 8 pin (video camera)	2 x AMP automotive 26 pin (signal) 1 x M12 8 pin (video camera)
Operating system	Linux embedded	Linux embedded
Standards	EN 61000 industrial; ECE R10 automotive ISO 14982 agriculture; ISO 1173 ISOBUS	EN 61000 industrial; ECE R10 automotive ISO 14982 agriculture; ISO 1173 ISOBUS
Programming languages	C, C++, QT/QML	C, C++, QT/QML
Programming IDE	VT3, QT CREATOR	VT3, QT CREATOR

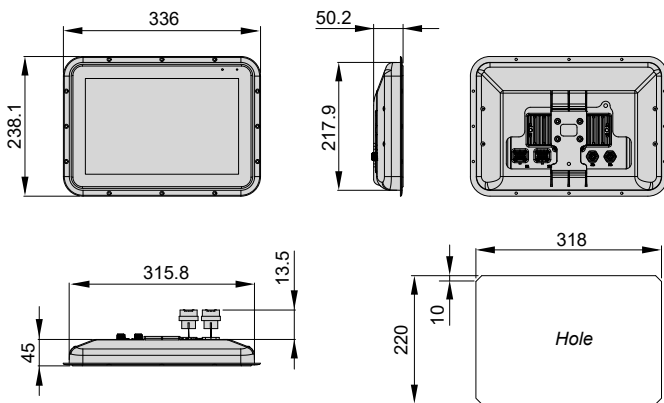
TERA 12HE TOUCHSCREEN ONLY

TOP EXPERIENCE RIGHT AHEAD

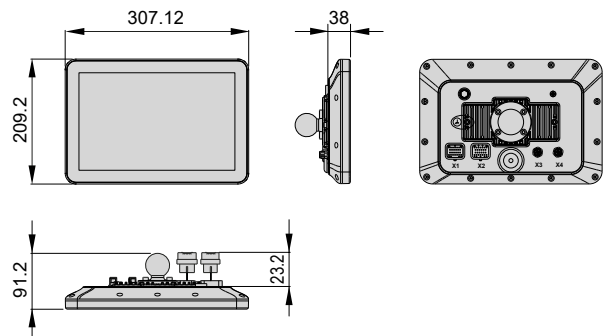
Display
12.1"



FISSAGGIO INDASH / INDASH FIXING



FISSAGGIO OUTDASH / OUTDASH FIXING



Vedi pagina 48
See page 48



Vedi pagina 49
See page 49



Vedi pagina 50
See page 50



Vedi pagina 51
See page 51

TERA 10HE

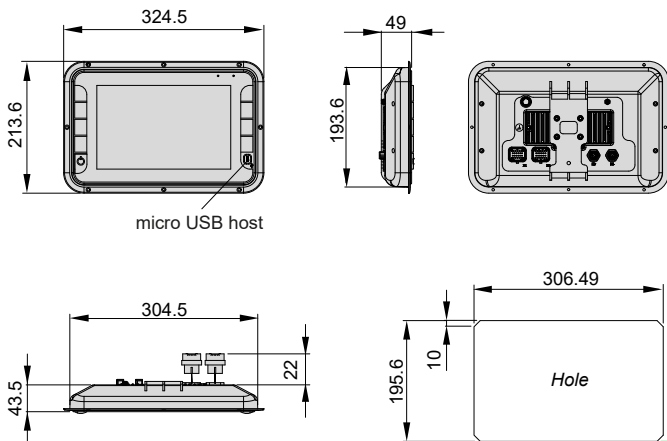
PUSH BUTTONS AND TOUCHSCREEN

TOP EXPERIENCE RIGHT AHEAD

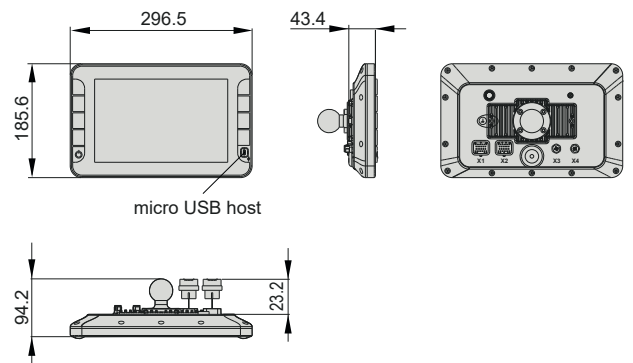
Display
10.1"



FISSAGGIO INDASH / INDASH FIXING



FISSAGGIO OUTDASH / OUTDASH FIXING



Vedi pagina 48
See page 48



Vedi pagina 49
See page 49



Vedi pagina 50
See page 50



Vedi pagina 51
See page 51

TERA 10HE

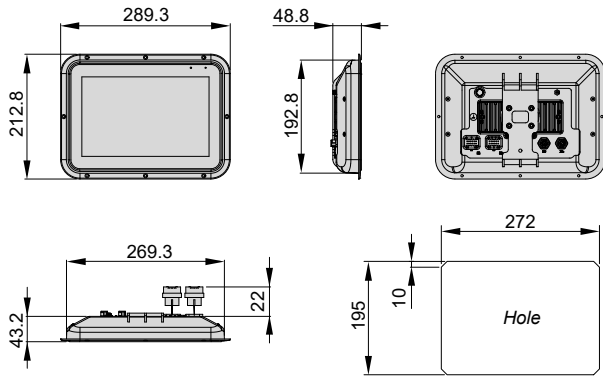
TOP EXPERIENCE RIGHT AHEAD

TOUCHSCREEN ONLY

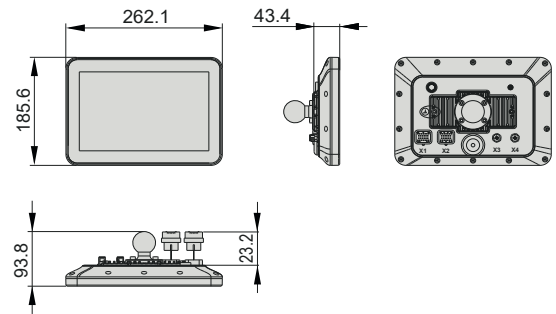
Display
10.1"




FISSAGGIO INDASH / INDASH FIXING




FISSAGGIO OUTDASH / OUTDASH FIXING





 Vedi pagina 48
 See page 48





 Vedi pagina 49
 See page 49



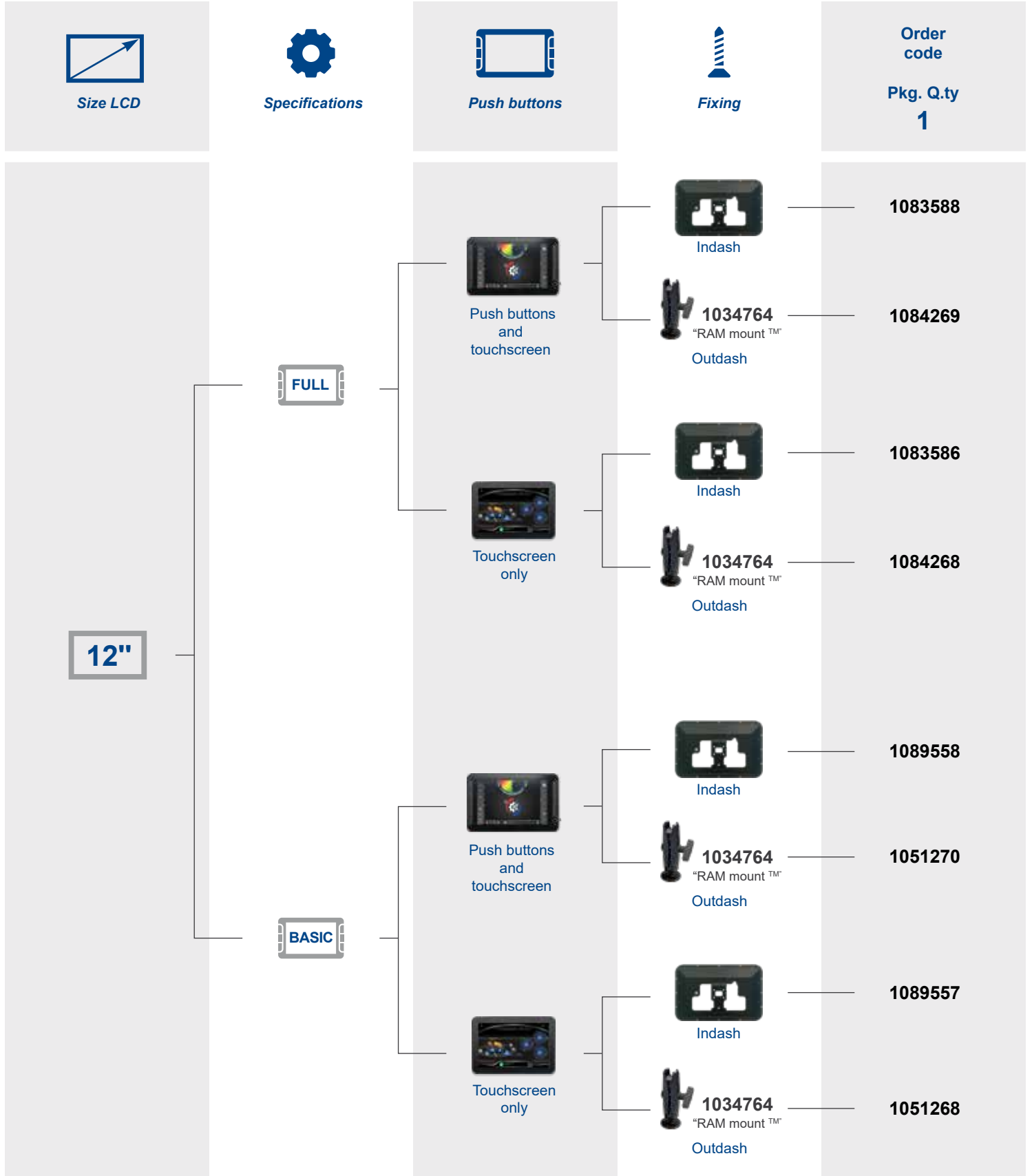

 Vedi pagina 50
 See page 50




 Vedi pagina 51
 See page 51

ORDER CODE GUIDE

TERA12 HE 12.1" TFT DISPLAY



ORDER CODE GUIDE

TERA10 HE 10.1" TFT DISPLAY

