

CANVIEW4



CANVIEW4 è un display 4.3" programmabile general purpose, con un'ampia gamma di applicazioni.

CANVIEW4 is a general purpose programmable 4.3" size display, with a wide range of applications.

Le caratteristiche distintive di questo prodotto sono:

- Compatto
- Stile moderno
- Velocità
- Dimensione memoria

che, unite a standard molto elevati di robustezza a condizioni ambientali gravose, lo rendono adatto a qualunque applicazione ed applicabile sia all'interno cabina che all'esterno.

The distinguishing characteristics of the product are:

- Compact
- Modern style
- Speed
- Wide memory

which, combined with very high standards of ruggedness against harsh environmental conditions, make it suitable for any application and applicable both inside the cabin and outside.

Display
4.3"



BUTTONS

Display
4.3"



NO BUTTONS



Vedi pagina 48
See page 48

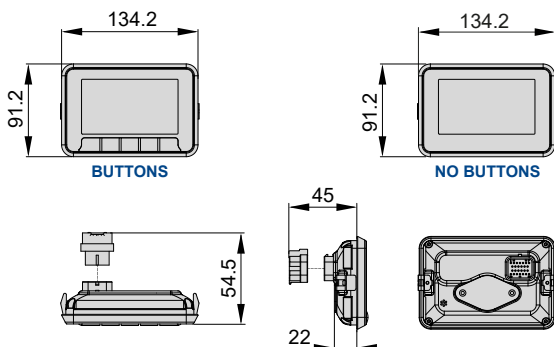


TECHNICAL SPECIFICATIONS

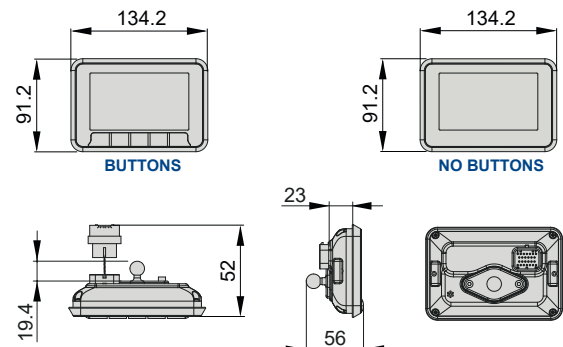
Power supply	8 - 32V
Operating temperature	- 40°C + +75°C
Sealing degree	IP65 rear version without buzzer IP60 rear version with buzzer IP66 front no buttons version IP67 and IP69k front buttons version
Display	TFT 4.3"; 480 x 272 pixels, 700 cd/m ² , contrast ratio 600:1
Main CPU	ARM Cortex M4, 32 bit
Frequency	180 MHz
FLASH Memory	16MB
RAM Memory	16MB
Sun readability	✓
RTC	✓
Wake up mode	Power supply, CAN message
Boot time	1 sec
Internal temperature sensor	✓
Keypad	5 push buttons on front panel (silicon keypad)
Touchscreen	Resistive
Buzzer	65 dB Blind version, otherwise 85 dB
CANBUS ports	2
RS232	1 (TX/RX)
USB ports	1
Video Input*	1 PAL/NTSC standard input
I/O List*	2 analog/digital Inputs 4 Outputs High Side 2A
Connector	AMP automotive 26 pin
Standards	CE EMC industrial, automotive
Programming	VT3 tool

*Optional upon request

FISSAGGIO INDASH / INDASH FIXING
disponibile su richiesta / available on request



















FISSAGGIO OUTDASH / OUTDASH FIXING



ORDER CODE GUIDE

CANVIEW4 4.3" DISPLAY

 Specifications	 Keys	 Fixing	 Sealing degree	Order code Pkg. Q.ty 1
 BUTTONS	 No touchscreen	 2x springs Indash	IP65 Lower buzzer volume	1093949
			IP60 Higher buzzer volume	1093946
		 1034761 "RAM mount™" Outdash	IP65 Lower buzzer volume	1093948
	 No touchscreen	 2x springs Indash	IP65 Lower buzzer volume	1095399
		 1034761 "RAM mount™" Outdash	IP65 Lower buzzer volume	1094358
 NO BUTTONS	 No touchscreen	 2x springs Indash	IP60 Higher buzzer volume	1093945
	 Touchscreen	 1034761 "RAM mount™" Outdash	IP65 Lower buzzer volume	1093944

CANVIEW4 PER MOTORI STAGE V / FOR STAGE V ENGINES



Il display CANVIEW 4 Stage V nasce per venire incontro alle esigenze di mercato di avere uno strumento compatto e pronto all'uso conforme alle normative vigenti in termini di emissioni (Stage V ready).

Grazie al display è possibile:

- Tenere sotto controllo le prestazioni del motore selezionato
- Avere un feedback sugli eventuali segnali di errore durante le fasi di lavoro della macchina.

Lo strumento da la possibilità di avere 3 stili di interfaccia grafica e di gestire il pedale acceleratore (analogico o CAN-BUS) direttamente dal menù di configurazione dello strumento.

Display entry level general purpose per la gestione dati J1939 dei motori Stage V:
Kubota - Kohler - Deutz - VM - Yanmar - Perkins - FPT

Purchase code	Pkg Q.ty
1097456	1

Display
4.3"



The CANVIEW 4 Stage V display was created to meet the market needs of having a compact and ready-to-use instrument compliant with current regulations in terms of emissions (Stage V ready).

Thanks to the display it is possible:

- Monitor the performance of the selected engine
- Get feedback on any error signals during the working phases of the machine.

The instrument gives the possibility to have 3 graphic interface styles and to manage the accelerator pedal (analogue or CAN-BUS) directly from the instrument configuration menu.

Display entry level general purpose for the J1939 data management of Stage V engines:
Kubota - Kohler - Deutz - VM - Yanmar - Perkins - FPT

CARATTERISTICHE PRINCIPALI

Il display da la possibilità di visualizzare:

- RPM
- Temperatura acqua
- Pressione olio
- Ore motore (CANBUS)
- Livello urea
- Codici SPN e FMI
- Spia avaria motore rossa
- Spia warning motore gialla
- Alternatore
- Riscaldamento (candele)
- Inibizione DPF
- DPF rigenerazione necessaria
- DPF rigenerazione in corso
- Acqua nel carburante
- Gestione pedale acceleratore (CANBUS & analogico)

MAIN FEATURES

The display allows to visualize:

- RPM
- Water temperature
- Oil pressure
- Engine hours (CANBUS)
- Urea level
- SPN and FMI codes
- Red malfunction indicator of the engine
- Yellow warning indicator of the engine
- Alternator
- Heating (glow plugs)
- DPF inhibition
- DPF regeneration needed
- DPF regeneration in progress
- Water in the fuel
- Throttle pedal management (CANBUS & analog)



Vedi pagina 48
See page 48

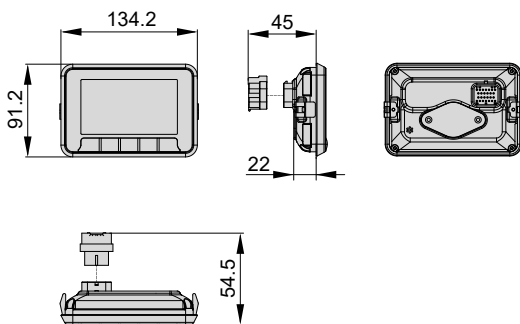


TECHNICAL SPECIFICATIONS

Power supply	8 - 32V
Operating temperature	- 40°C ÷ +75°C
Sealing degree	IP60 rear version with buzzer IP67 and IP69k front buttons version
Display	TFT 4.3"; 480 x 272 pixels, 700 cd/m ² , contrast ratio 600:1
Main CPU	ARM Cortex M4, 32 bit
Frequency	180 MHz
FLASH Memory	16MB
RAM Memory	16MB
Sun readability	✓
RTC	✓
Wake up mode	Power supply, CAN message
Boot time	1 sec
Internal temperature sensor	✓
Keypad	5 push buttons on front panel (silicon keypad)
Buzzer	65 dB Blind version, otherwise 85 dB
CANBUS ports	2
RS232	1 (TX/RX)
USB ports	1
Video Input*	1 PAL/NTSC standard input
I/O List*	2 analog/digital Inputs 4 Outputs High Side 2A
Connector	AMP automotive 26 pin
Standards	CE EMC industrial, automotive
Programming	VT3 tool

*Optional upon request

FISSAGGIO INDASH / INDASH FIXING disponibile su richiesta / available on request



FISSAGGIO OUTDASH / OUTDASH FIXING

